

8

7

6

5

4

3

2

1

D

C

B

A

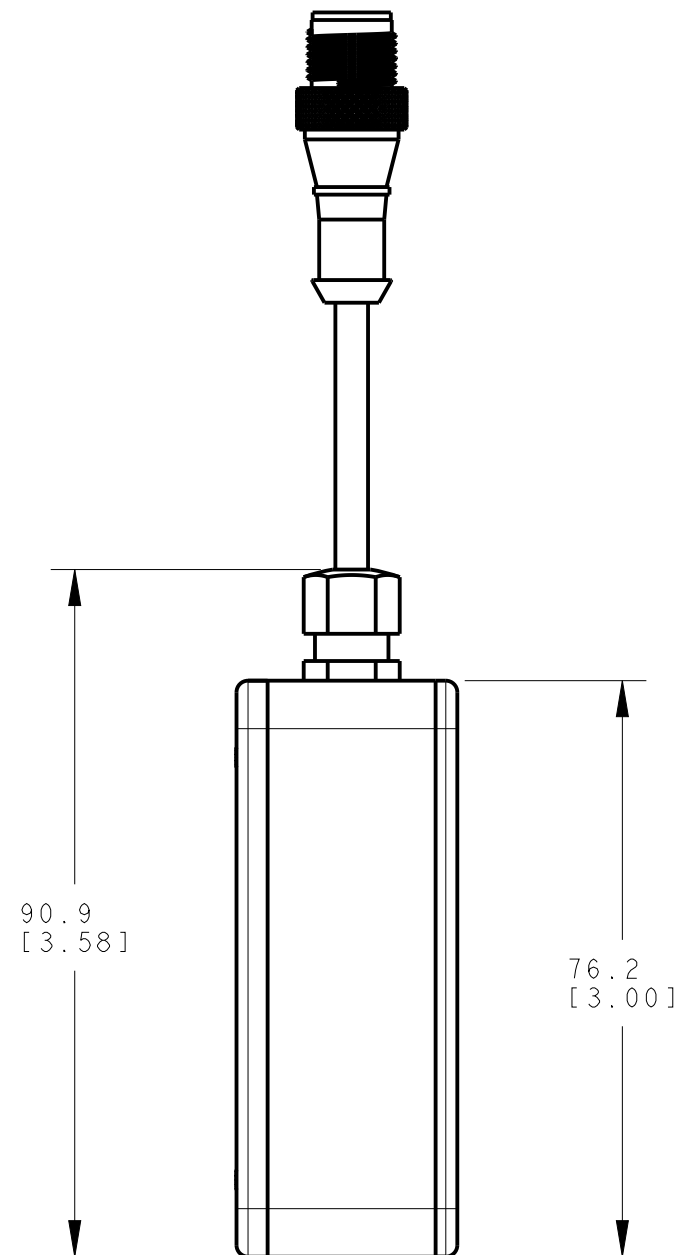
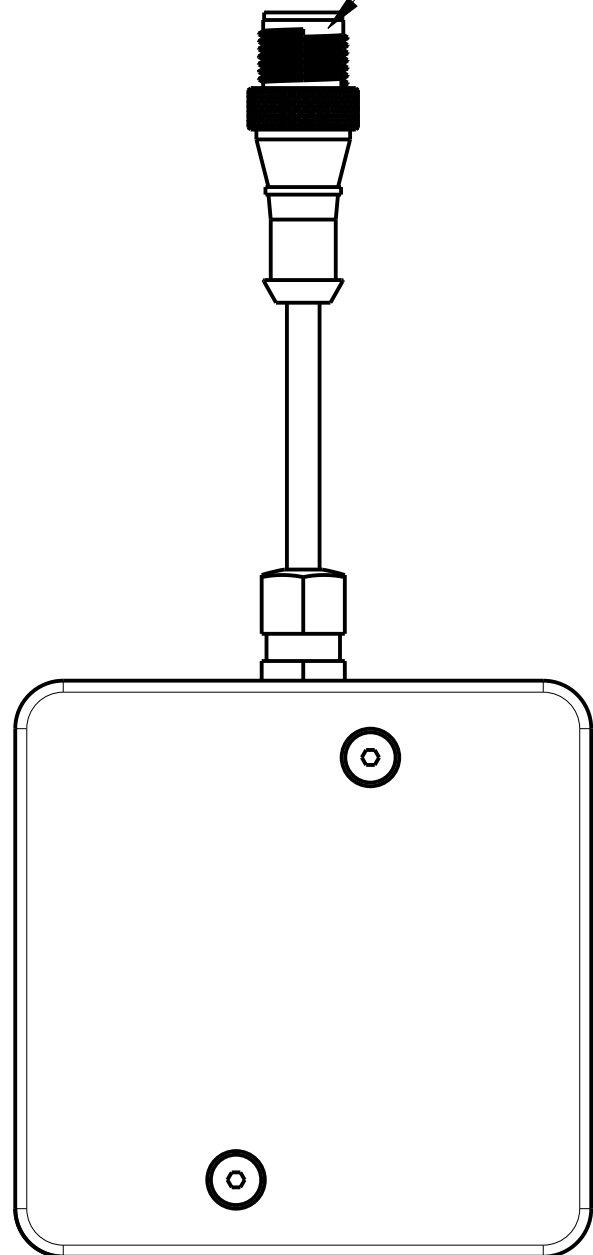
D

C

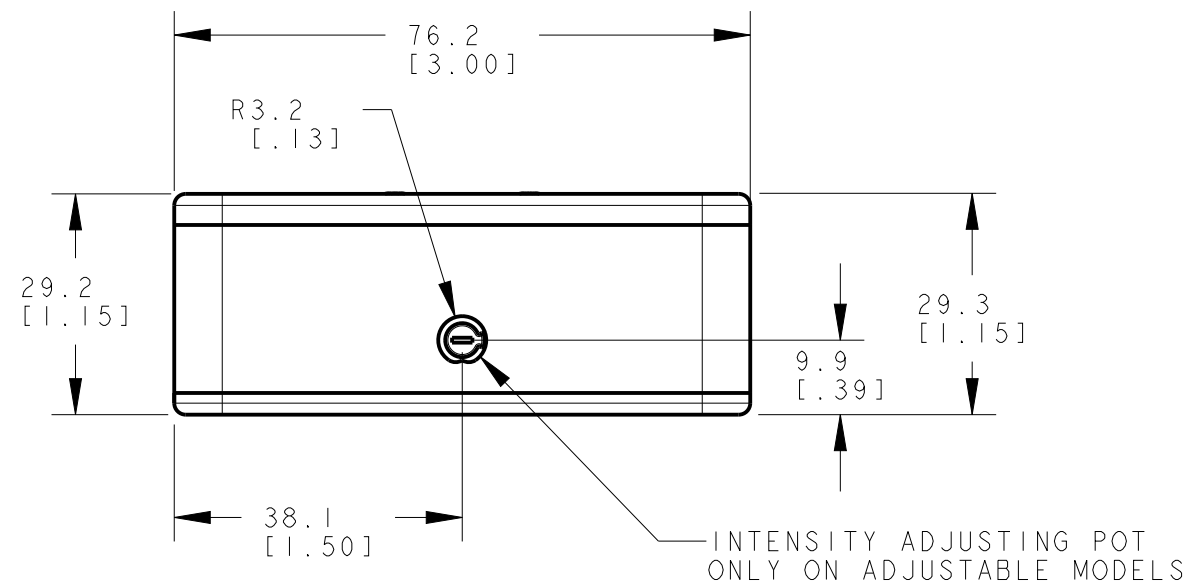
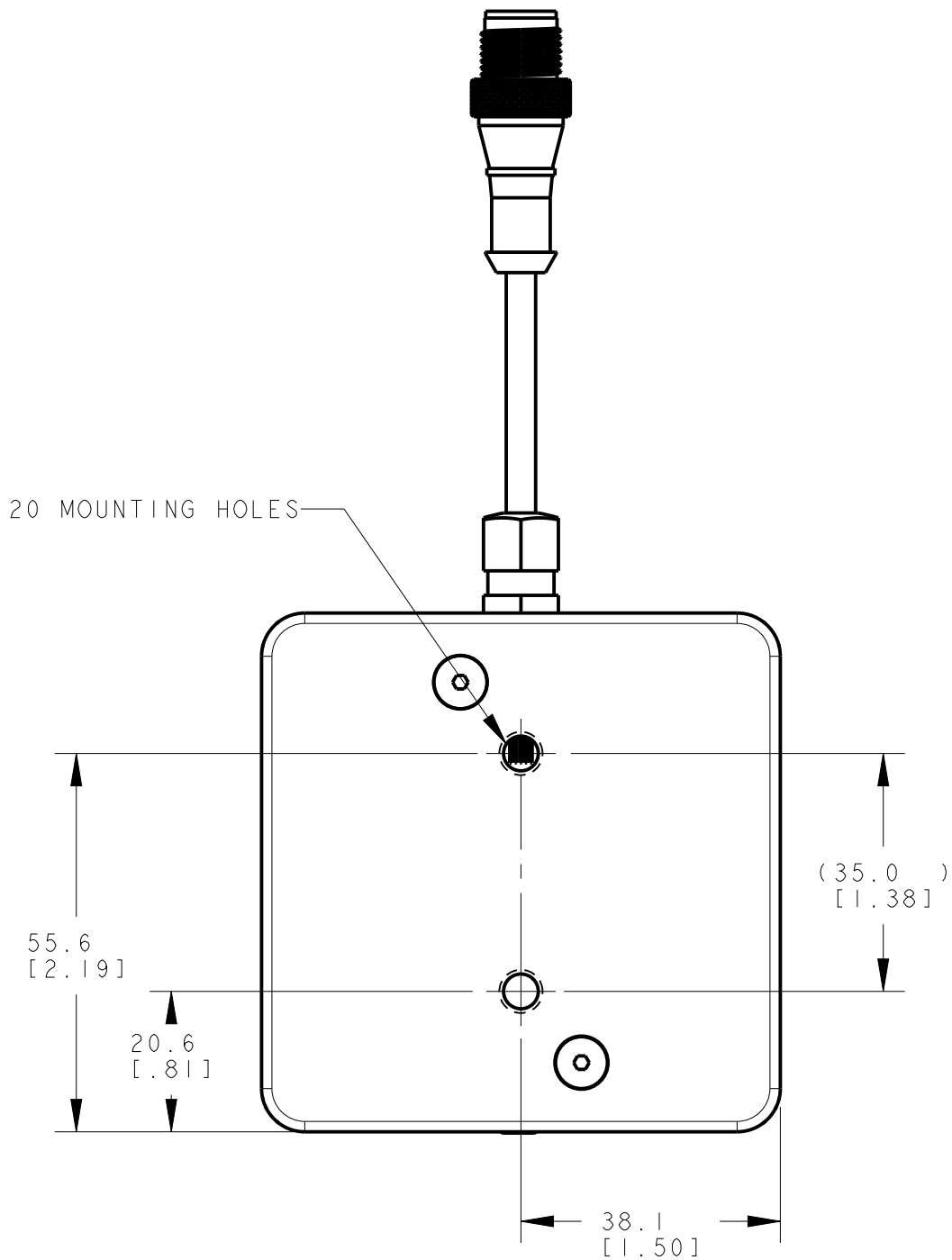
B

A

M12 VERSION SHOWN, AVAILBLE WITH 3 PIN M8 FOR P4 CAMERAS



2X 1/4 - 20 MOUNTING HOLES



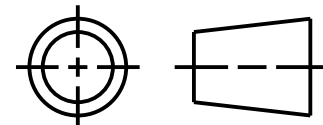
NOTES:
1. ALL DIMENSIONS ARE MILLIMETERS [INCHES] UNLESS OTHERWISE NOTED.
2. REFER TO "www.bannerengineering.com" FOR ADDITIONAL DATA AND SPECIFICATIONS.

This drawing is the property of BANNER ENGINEERING CORP. Any use or reproduction, in any form, without prior written permission of Banner is prohibited. © 2015 Banner Engineering Corp.

BANNER BANNER ENGINEERING CORP. www.bannerengineering.com

TITLE LED A70XD5-

THIRD ANGLE PROJECTION



SIZE C DRAWING NO. 144927 REV. A

SCALE 1:1 SHEET 1 OF 1 CREO

8

7

6

5

4

3

2

1

CREO